

Swing Check Valve SWC-200T

Check Valve, also known as a one-way valve or Check Valves.

The swing check valve is used to prevent back flow in the line. Flow is in a straight line through the valve resulting in minimal pressure drop. The movable part to block the flow, swings on a hinge, either onto the seat to block reverse flow or off the seat to allow forward flow. The disc swings into the open position as the media flows through the line. Back pressure in the line holds the disc in the closed position.

Swing check valves may be installed in horizontal or vertical lines, but must be installed in proper relation to the media flow as indicated by the flow direction arrow marked on the body.

The swing check valves is a flap valve around the sealing surface for rotating movement, resistance than elevating small, poor sealing performance.

Features:

- A) **Investment Cast Stainless** Steel Body & Cover.
- B) **Integral Stainless** Steel Seat
- C) **Threaded standard available:** NPT and BSP
- D) **Screw-in Cover**, Swing Type.
- E) **Full bore construction.**
- F) **A hinge and hinge** pin provided and mounted so as to permit full movement of the disc.
- G) **Automatic operation.**
- H) **Disassembly** is very convenient
- I) **DIN EN10204-3.1** Certificate Available.
- J) **For Horizontal or Vertical Line only.**

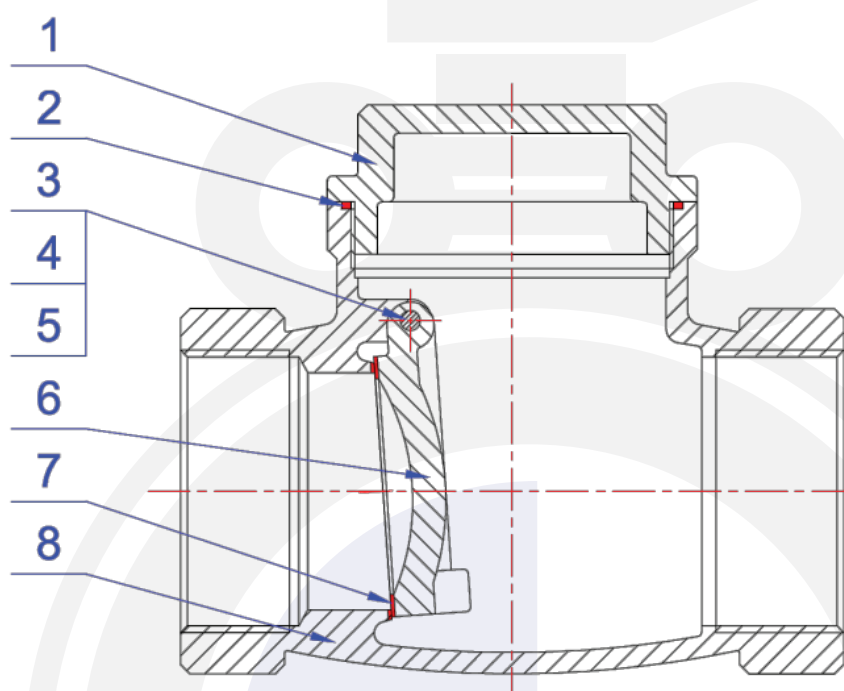
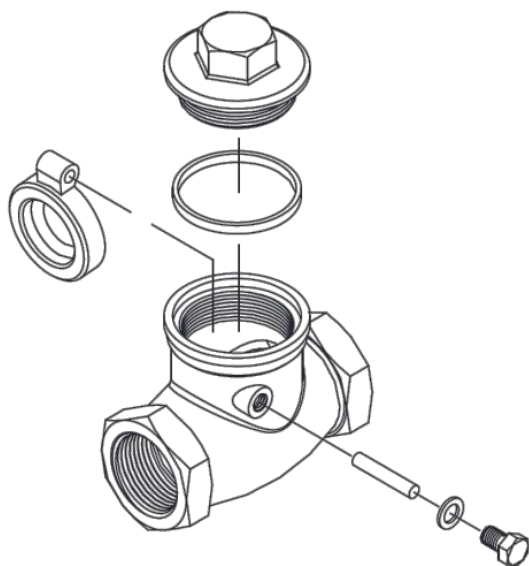


Technical Data

1. Size range: NPS 1/4" ~ 4"
2. Pressure ratings: 200 PSI / CWP
3. Working temperature: -29°C ~ +200°C
4. Applications for Hydraulic, Chemical, Steam, Oil/ Gas, Oxygen, Vacuum.
5. Body Material: A351 CF8M
6. Wedge Material: A351 CF8M
7. Stem Material: A276 SS316
8. Seat: A276 SS316

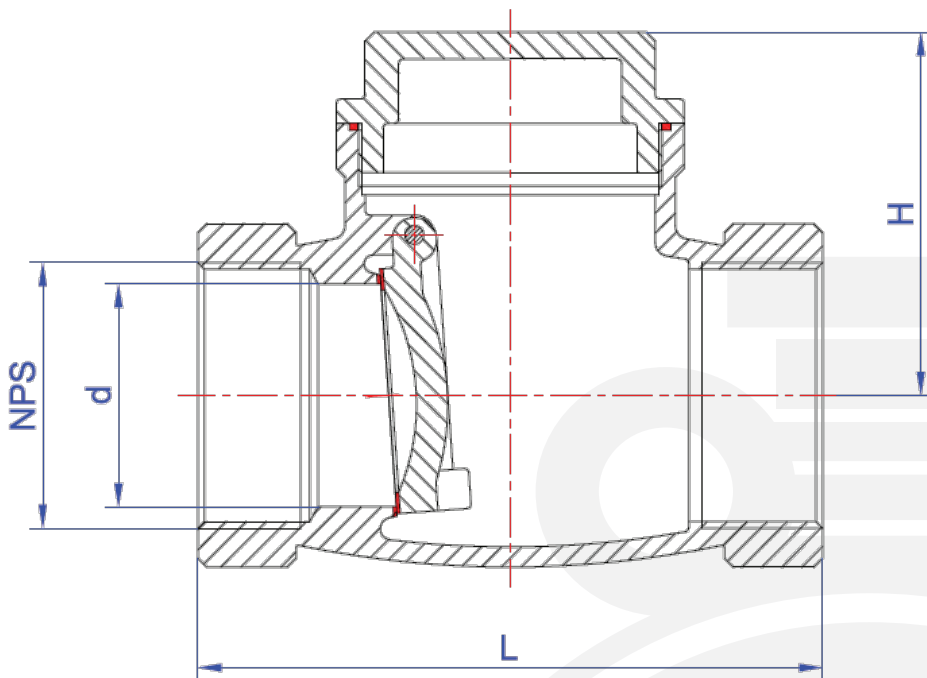
Performance Standard

1. Design & Manufacture standard as to: ASME B16.34
2. Face to Face dimension standard as to: MFR-STD
3. Threaded dimension conforms as to NPT :ASME B1.20.1
BSPT :ISO 228
4. Testing And Inspection as to: API 598 / MSS SP-110
/ EN 12266
5. Pressure-temperature conforms as to: ASME B16.34
6. Anti Corrosion as per NACE MR-0175(2002) requirement



Part List:

No.	Part Name	Material	Standard
1.	Cover	CF8M / SS316	ASTM A351
2.	Gasket	PTFE	MFR-STD
3.	Hinge Pin	SS316	ASTM A276
4.	Plug Gasket	PTFE	MFR-STD
5.	Plug	SS316	ASTM A276
6.	Disc	CF8M / SS316	ASTM A351
7.	Seat	SS316	ASTM A276
8.	Body	CF8M / SS316	ASTM A351



Main dimension

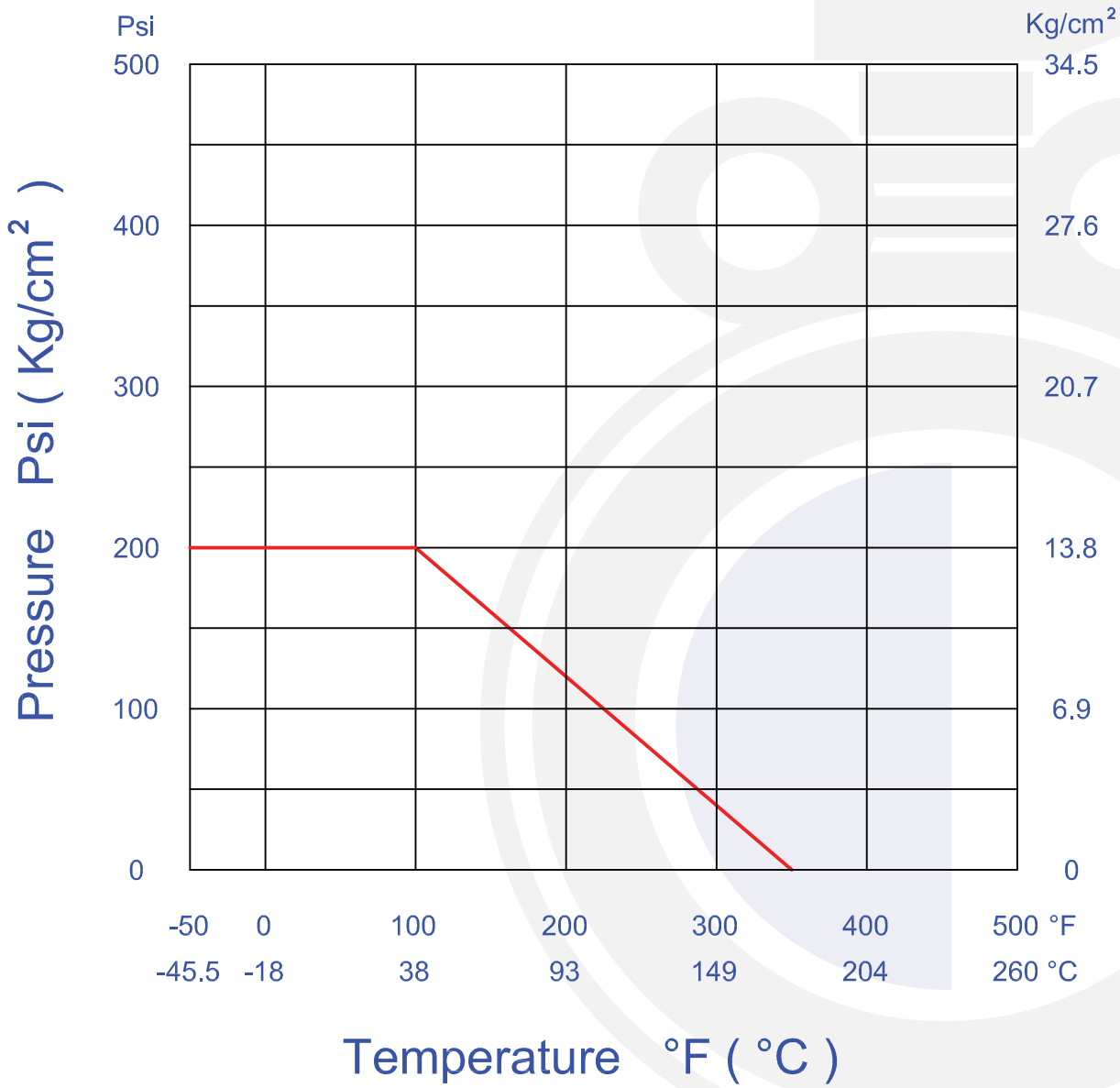
Swing Check Valve SWC-200T

Threaded dimension conforms as to: NPT : ASME B1.20.1
BSPT : ISO 228

NPS	NPT	d	L	H	Weight
1/4"	1/4"	8	63	41.5	0.27
3/8"	3/8"	10	63	41.5	0.27
1/2"	1/2"	15	63	41.5	0.26
3/4"	3/4"	20	74	45	0.35
1"	1"	25	84	49	0.48
1 1/4"	1 1/4"	31	101	53.5	0.75
1 1/2"	1 1/2"	40	114	58.5	0.95
2"	2"	49	134	72	1.39
2 1/2"	2 1/2"	65	162	87	2.95
3"	3"	80	188	107	4.664
4"	4"	100	238	139	8.6

SBM PTV Engineering Data

Pressure Temperature Ratings of swing Check Valve Body



ORDERING CODE:

Example: SWC-221-200

Model: Swing Check SS316 Body and Trim, Thread NPT, Size 2"

Available Body Material Code

SS304 CF8 Stainless Steel: 1

SS316 CF8M Stainless Steel: 2

SS316L CF3M Stainless Steel: 3

Available Trim Code

SS304 CF8 Stainless Steel: 1

SS316 CF8M Stainless Steel: 2

SS316L CF3M Stainless Steel: 3

Available Thread End Code

NPT Thread End: 1

BSP Thread End: 2

Available Size Code:

¼": 25

3/8": 37

½": 50

¾": 75

1": 100

1 ¼": 125

1 ½": 150

2": 200

2 ½": 250

3": 300

4": 400

